

VS100

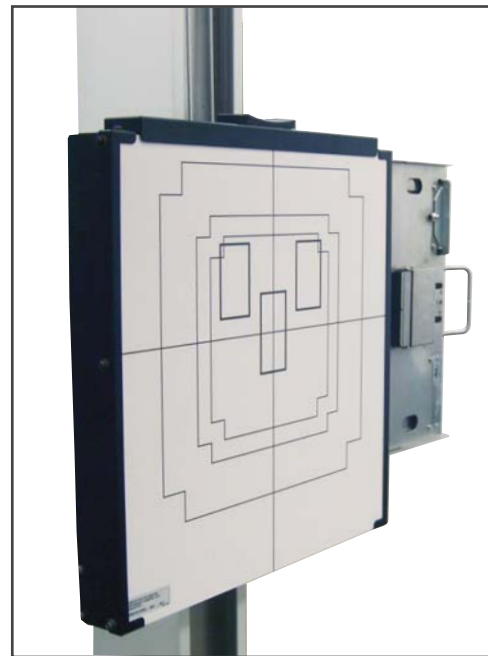
(Model #3546E)

VERTICAL WALL STAND

A counterbalanced wall stand with vertical electric locks that allow for easy positioning. The extensive vertical travel allows for a complete range of exams from skull to weight bearing knee and ankle exams.

Product Features

- Dual counterweight cables for added safety
- Vertical travel range of 58.38 in. (148.28 cm)
- Available with 17 in. x 17 in. (43 cm x 43 cm) grid cabinet or bucky and a wide selection of grid options



VS100

(Model #3546E)

VERTICAL WALL STAND

Technical Specifications

Wall stand height:	86.75 in. (220.4 cm)
Receptor height:	23.38 in. (59.4 cm)
Vertical travel range:	58.38 in. (148.28 cm)
Wall stand width (with receptor):	23.25 in. (59 cm)
Wall stand depth (with receptor):	13 in. (33 cm)
Maximum focal spot height:	72.38 in. (183.84 cm)
Minimum focal spot height:	14 in. (35.6 cm)
Front panel aluminum equivalency:	0.4 mm
Weight:	258 lbs. (117 kg)
Power requirements:	24VDC



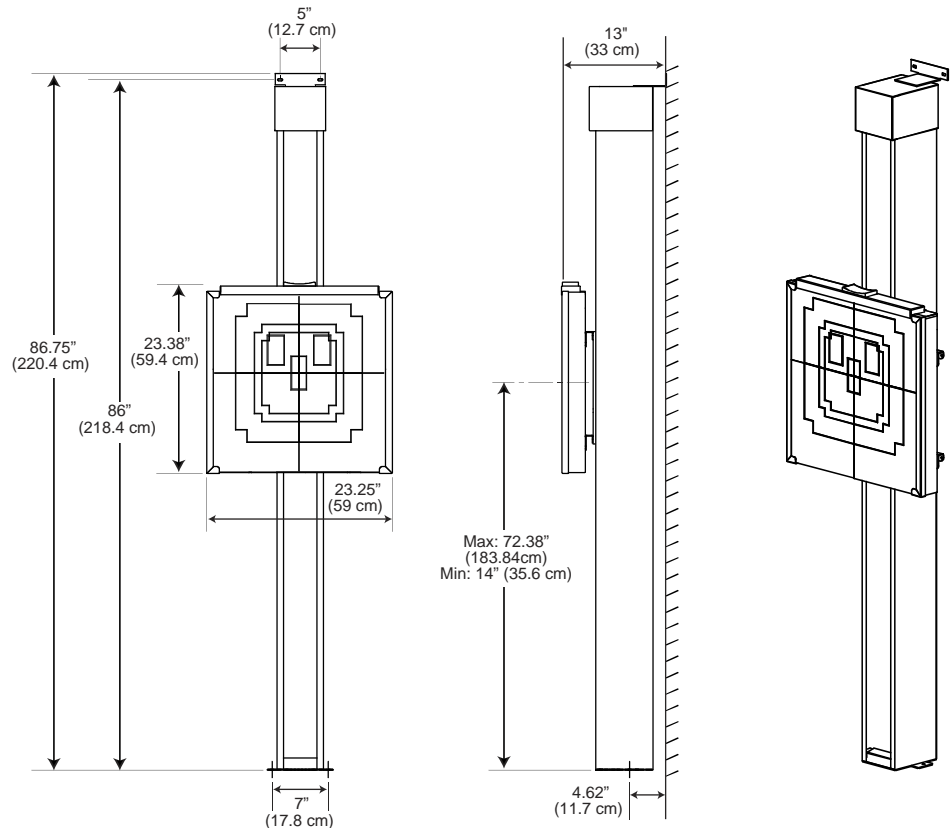
Certifications

ETL Listed

Product Options

- 17 in. x 17 in. (43cm x 43cm) grid cabinet or bucky
- Deluxe, heavy-duty manual cassette tray
- Size-sensing cassette tray with PBL interface
- Ion chamber (AEC)
- Variety of grid options
- 24VDC external power supply 110/220V

Optional cassette tray accepts 17" x 17" (43cm x 43 cm) or smaller cassettes or digital panels.



DEL MEDICAL

Toll Free: (800) 800-6006

Fax: (847) 288-7011

Email: info@delmedical.com

www.delmedical.com

50 N. Gary Ave., Suite B, Roselle, IL 60172



Universal branded products are manufactured and distributed by UMG/Del Medical.
Del Medical is an ISO 13485 & ISO 9001 Certified facility.
Specifications are subject to change without notice.



Toll Free: (800) 261-9808

Fax: (914) 835-6111

Email: info@umgxray.com

www.umgxray.com

28 Calvert Street, Harrison, NY 10528

02.1.2 #9000-3546Eux