



Height adjustable x-ray shield

model: 310/B-3



A Hand controls are shown attached to the optional accessory rail. The full width rails are factory fitted and available in two sizes: 8x25mm & 10x25mm.

B The shield is compact and easily manoeuvred into position.

C The window has immediate and simple height adjustment.

See overleaf for weights & dimensions.



Superior design & construction make this mobile shield ideal for use in confined areas close to the table side.

- The 70cm wide lead acrylic window provides an uninterrupted view of procedures. It is counterbalance, so has no apparent weight, and can be raised to a height of up to 188cm, for complete protection, or lowered in seconds to 115cm for access to the patient.
- Equipment hand controls, attached to the optional accessory rail, allow personnel to operate within a safe zone created by the shield.
- The shield is easily moved into the work area and occupies minimal space when lowered after use.
- Lead equivalents:
Window 0.5mm, lower panel 1.0mm



Kenex (Electro-Medical) Ltd
24 Burnt Mill, Harlow, Essex, CM20 2HS, England
tel: +44 (0) 1279 417241 fax: +44 (0) 1279 443749

email: kenex@kenex.co.uk web: www.kenex.co.uk



Weights dimensions and ordering information

Ordering information

Description: Height adjustable x-ray shield.
Model: 310/B-3

Optional factory fitted accessory rails (used for attaching equipment controls)

Description: Accessory rail 8x25mm

Model: 310/9.1

or

Description: Accessory rail 10x25mm

Model: 310/3.1

Net weight: 61 kg

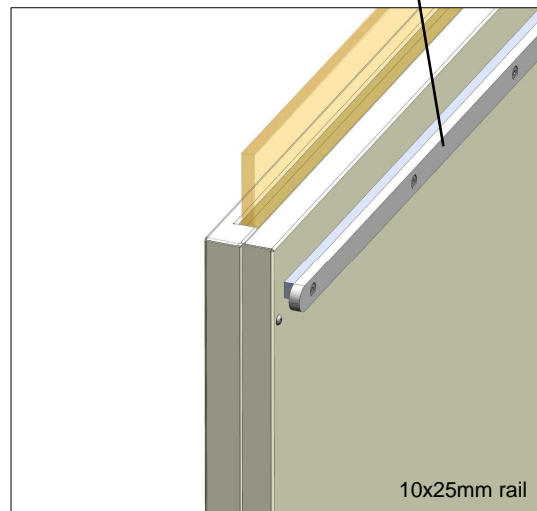
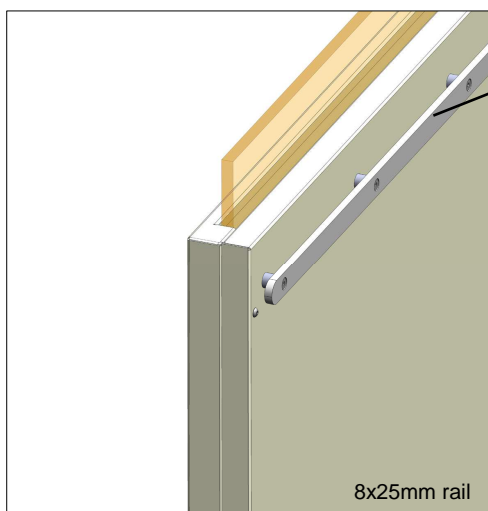
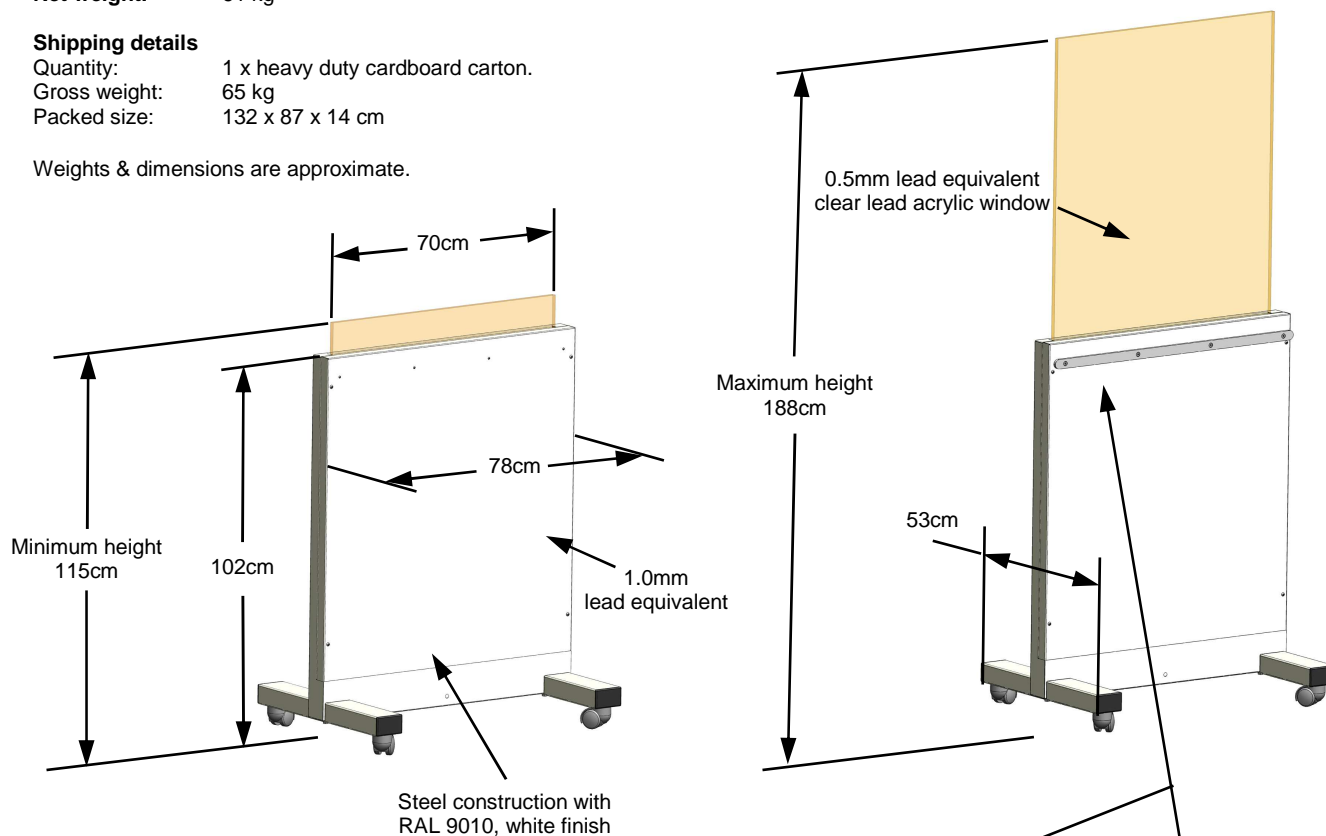
Shipping details

Quantity: 1 x heavy duty cardboard carton.

Gross weight: 65 kg

Packed size: 132 x 87 x 14 cm

Weights & dimensions are approximate.



Kenex

Kenex (Electro-Medical) Ltd
24 Burnt Mill, Harlow, Essex, CM20 2HS, England
tel: +44 (0) 1279 417241 fax: +44 (0) 1279 443749

email: kenex@kenex.co.uk web: www.kenex.co.uk